

Installation

S19-220PT

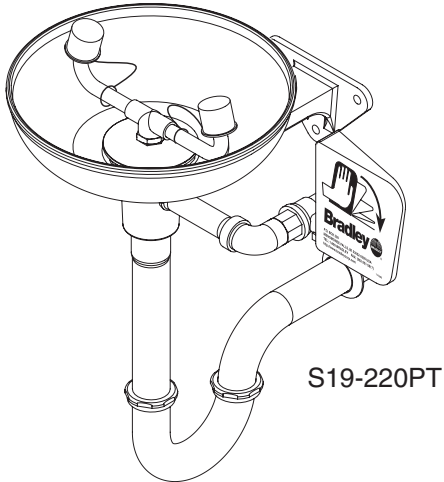
Wall-Mounted Eyewash with Plastic Bowl

S19-220BPT

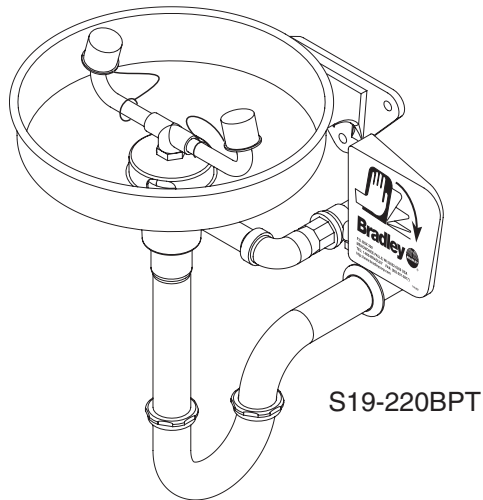
Wall-Mounted Eyewash with Stainless Steel Bowl

Table of Contents

Pre-Installation Information	2
Installation	2
Dimensions	3
S19-220PT Components and Parts List	4
S19-220BPT Components and Parts List	5

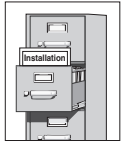


S19-220PT



S19-220BPT

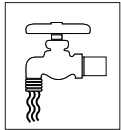
⚠ WARNING ⚠



Read this installation manual completely to ensure proper installation, then file it with the owner or maintenance department. Compliance and conformity to drain requirements and other local codes and ordinances is the responsibility of the installer.



Separate parts from packaging and make sure all parts are accounted for before discarding any packaging material. If any parts are missing, do not begin installation until you obtain the missing parts.



Flush the water supply lines before beginning installation and after installation is complete. Test the unit for leaks and adequate water flow. Main water supply to the eyewash should be "ON" at all times. Provisions shall be made to prevent unauthorized shutoff.



The ANSI Z358.1 standard requires an uninterrupted supply of flushing fluid at a minimum 30 PSI (0.21 MPa) flowing pressure. Flushing fluid should be tepid per ANSI Z358.1.



The inspection and testing results of this equipment should be recorded weekly to verify proper operation. This equipment should be inspected annually to ensure compliance with ANSI Z358.1.



Workers who may come in contact with potentially hazardous materials should be trained regarding the placement and proper operation of emergency equipment per ANSI Z358.1.



For questions regarding product operation or installation, visit www.bradleycorp.com or call 1-800-BRADLEY. Product warranties may also be found under "Products" on our web site at www.bradleycorp.com.

Installation

Supplies Required:

- (3) 3/8" wall fasteners and bolts
- Pipe sealant
- Piping to 1/2" NPT water supply inlet on unit
- Sign-mounting hardware

Step 1: Install inlet drain fittings

NOTE: Top of eyewash heads should be 33"–45" (838mm–1143mm) from floor.

1. Position the inlet drain fitting over the 1/4" drain outlet pipe from wall.
2. Using the inlet drain fitting as a template, mark the bolt hole locations on wall OR install three suitable fasteners (supplied by installer) for 3/8" bolts in the wall at the marked hole locations.
3. Bolt the inlet drain fitting to the wall or wall fasteners using 3/8" bolts (supplied by installer).

Step 2: Assemble eyewash

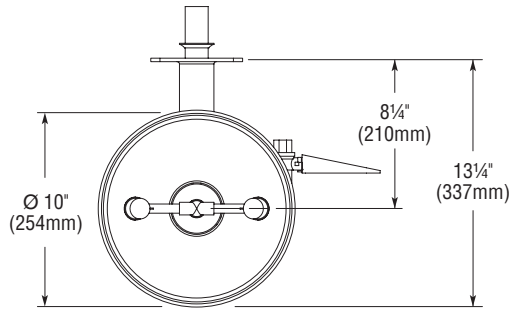
1. Assemble eyewash components as shown on page 4 (for S19-220PT) or page 5 (for S19-220BPT).
 - Apply pipe sealant (supplied by installer) to all male-threaded pipe joints.
 - Use a strap wrench around pipes when tightening to prevent marring.

Step 3: Connect water supply

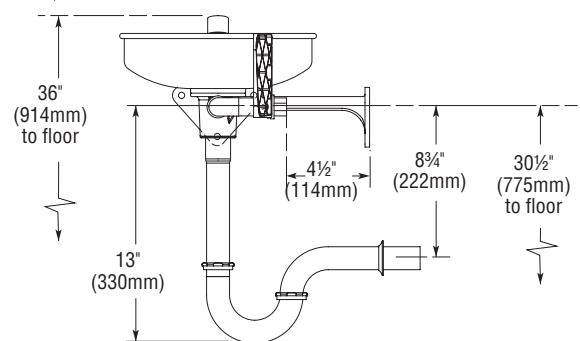
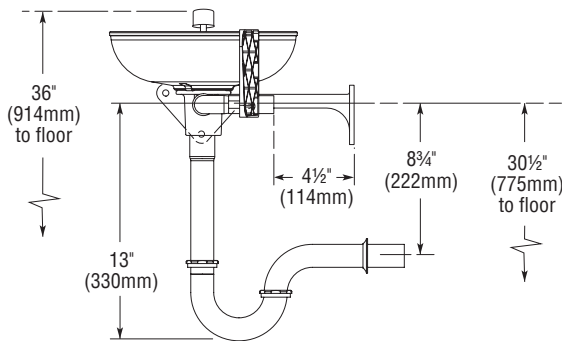
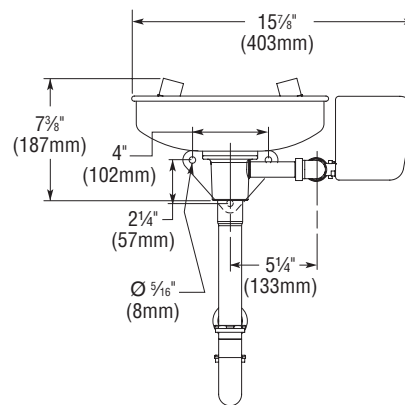
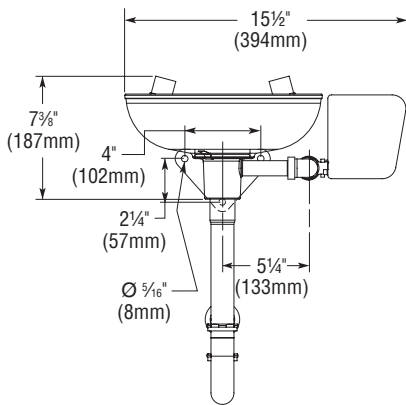
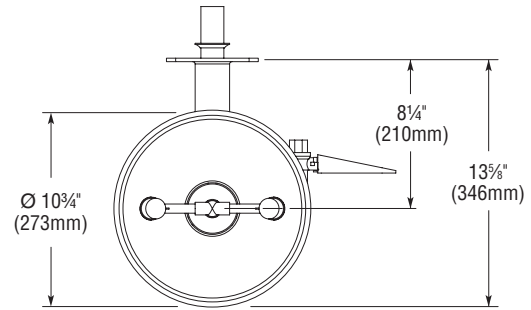
1. Connect the water supply piping (supplied by installer) to the 1/2" NPT inlet on the eyewash.
2. Connect the P-trap and tailpiece to the 1/4" NPT drain outlet on the eyewash.
3. Mount the safety sign to a wall or pipe using sign-mounting hardware (supplied by installer).

Dimensions

Model S19-220PT

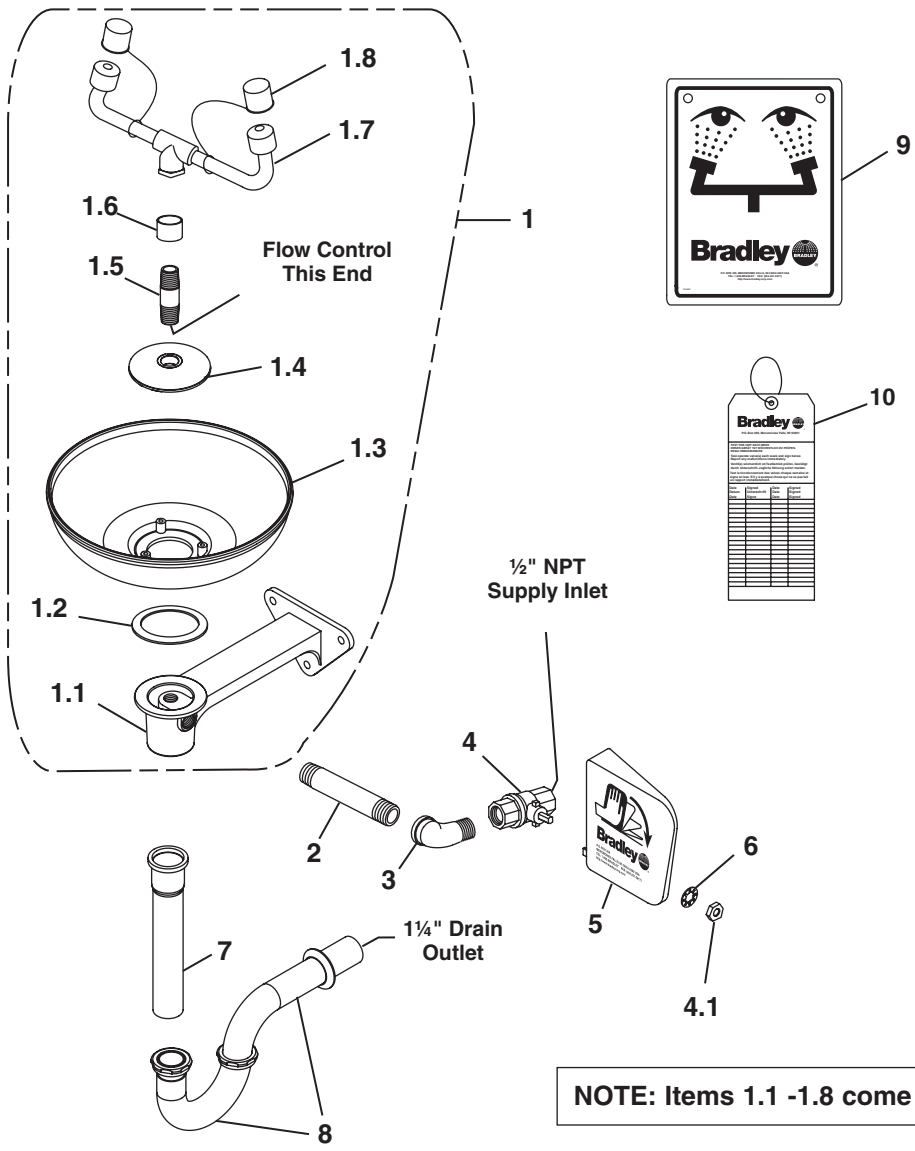


Model S19-220BPT



NOTE: Local codes may require the installation of a backflow prevention valve to complete proper installation. Compliance with local codes is the responsibility of the installer. Valve must be tested annually to verify that it is functioning properly. Backflow prevention valves are not included with the fixture and may be supplied by the contractor or purchased from Bradley Corporation.

Assembly of Components and Parts List — S19-220PT

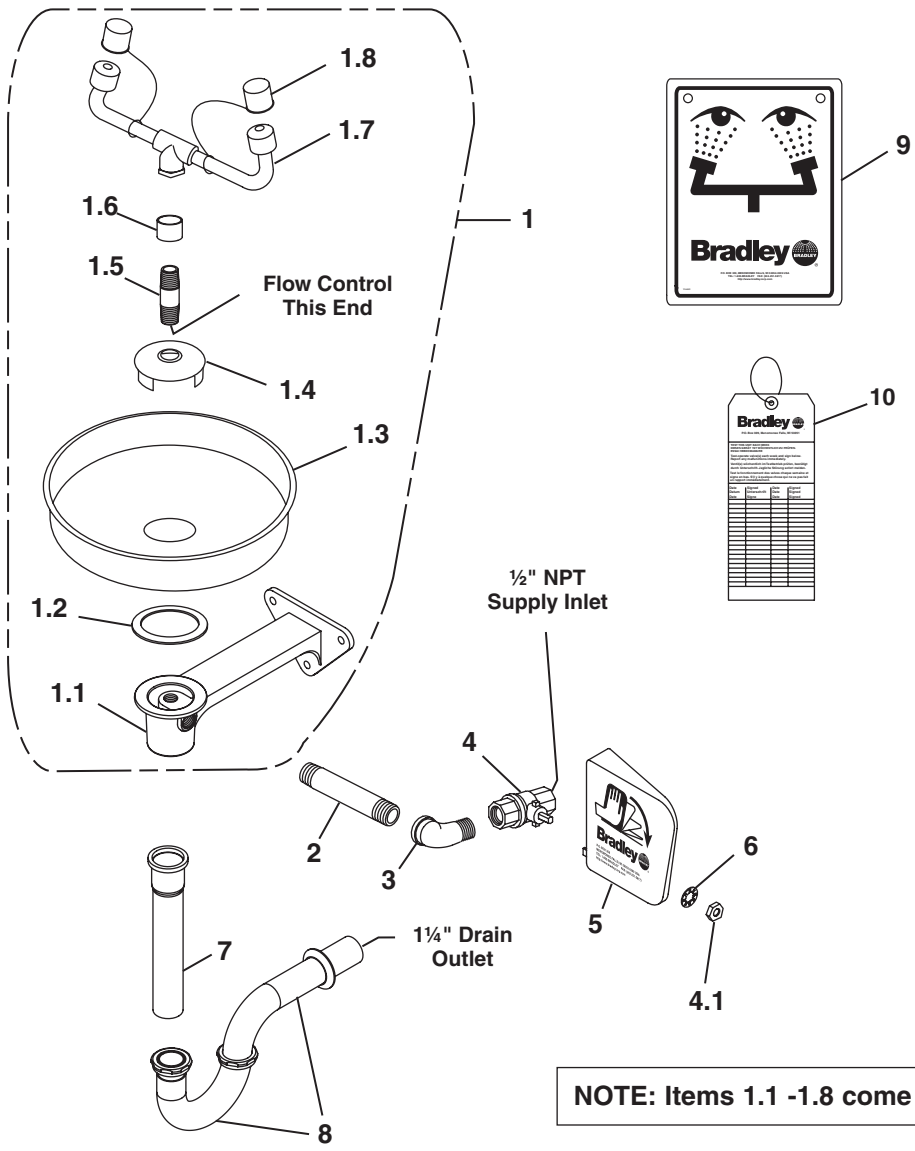


NOTE: Items 1.1 -1.8 come presassembled as Item 1.

Item	Part No.	Qty.	Description	Item	Part No.	Qty.	Description
1	S90-293	1	Plastic Eyewash Assembly	3	169-025	1	Elbow 1/2" NPT Street
1.1	111-061	1	Inlet Drain Fitting	4	S27-282	1	1/2" Ball Valve with Nut
1.2	124-028	1	Gasket	4.1	110-215	1	Nut only
1.3	154-058	1	Plastic Eyewash Bowl	5	128-135	1	Handle Assembly
1.4	173-025	1	Cup Strainer	6	142-002DA	1	Lockwasher
1.5	S21-071	1	Supply Stem	7	269-167	1	Tailpiece
1.6	113-1185	1	Spacer, Drain	8	269-142	1	P-trap
1.7	S05-091	1	Eyewash Yoke	9	114-051	1	Safety Sign
1.8	107-371	2	Tethered Dust Cover	10	204-421	1	Emergency Inspection Tag
2	113-006LQ	1	Pipe 1/2" NPT x 3 1/2"				

Prepack S45-122 includes items 4, 4.1, 5, 6
 Prepack S45-123 includes items 4.1, 5, 6

Assembly of Components and Parts List — S19-220BPT



NOTE: Items 1.1 -1.8 come presassembled as Item 1.

Item	Part No.	Qty.	Description	Item	Part No.	Qty.	Description
1	S90-295	1	Stainless Steel Eyewash Assembly	3	169-025	1	Elbow 1/2" NPT Street
1.1	111-061	1	Inlet Drain Fitting	4	S27-282	1	1/2" Ball Valve with Nut
1.2	124-028	1	Gasket	4.1	110-215	1	Nut only
1.3	187-053	1	Stainless Steel Eyewash Bowl	5	128-135	1	Handle Assembly
1.4	173-009	1	Cup Strainer	6	142-002DA	1	Lockwasher
1.5	S21-071	1	Supply Stem	7	269-167	1	Tailpiece
1.6	113-1159	1	Spacer, Drain	8	269-142	1	P-trap
1.7	S05-091	1	Eyewash Yoke	9	114-051	1	Safety Sign
1.8	107-371	2	Tethered Dust Cover	10	204-421	1	Emergency Inspection Tag
2	113-006LQ	1	Pipe 1/2" NPT x 3 1/2"				

Prepack S45-122 includes items 4, 4.1, 5, 6
 Prepack S45-123 includes items 4.1, 5, 6
 Prepack S45-1782 includes items 1.2, 1.4, 1.5, 1.6