



Series 100 Valves

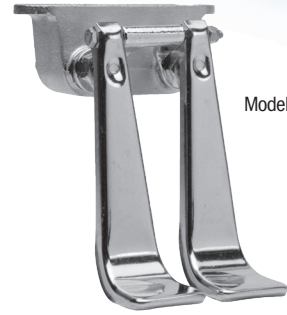
Design that sets an industry standard.

Features

These self-closing foot or knee-operated valves completely eliminate the possibility of contamination from germ laden or dirty faucets. Columbia valves are made of rough chrome-plated cast brass with stainless steel lift-up operateds. All valves are tested at 150 PSI after assembly.

Model 105 Double foot operated valve

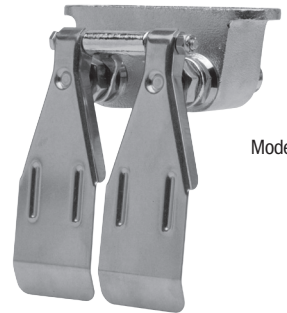
- Model #105 is standard on all Columbia foot-operated pedestal sinks



Model 105

Model 111 Double knee operated valve

- Model #111 is standard on all Columbia knee-operated wall mounted sinks



Model 111

Foot Operated Valves



Model 101



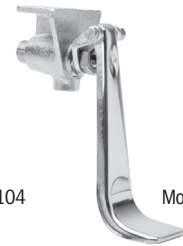
Model 102



Model 103



Model 104



Model 106

Knee Operated Valves



Model 109

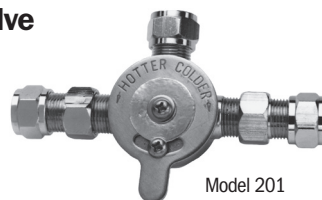


Model 110



Model 112

Model 201 Mixing Check Valve

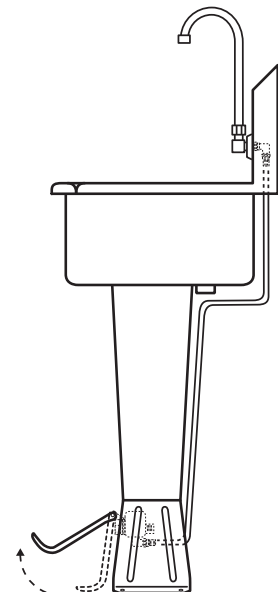


Model 201

Lift-Up Operateds

- Stainless Steel, Lift-Up Pedals
- Simplifies cleaning floors and repair of valves

Pedals lift up for easier cleaning and maintenance.



Universal Features

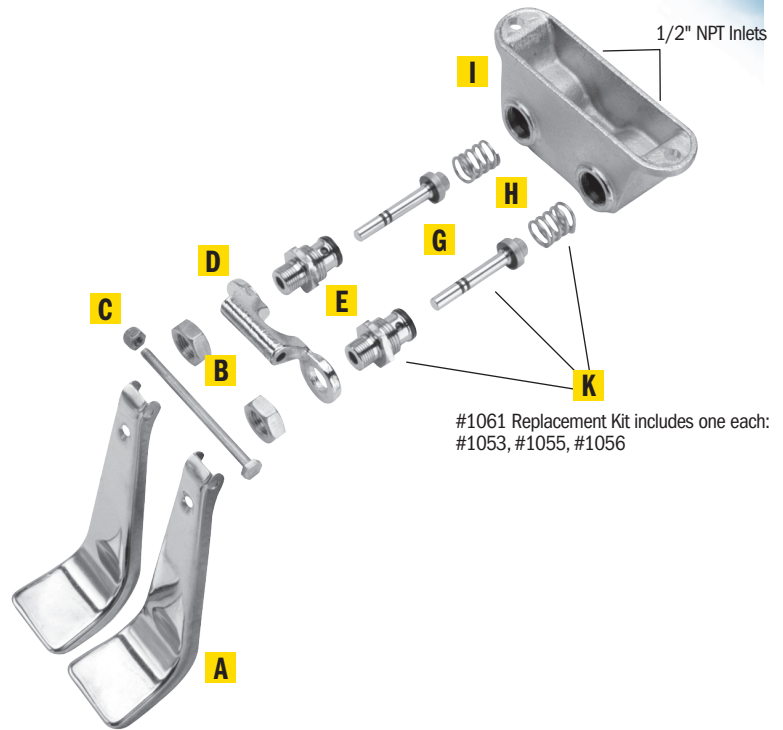
Certified by NSF

This exploded view illustrates the simplicity of design and minimum number of parts in a Columbia valve. Rugged and durable construction allows long-term, trouble-free operation and very low maintenance. Access to all moving parts can be accomplished without disconnecting plumbing or removing the valve body.



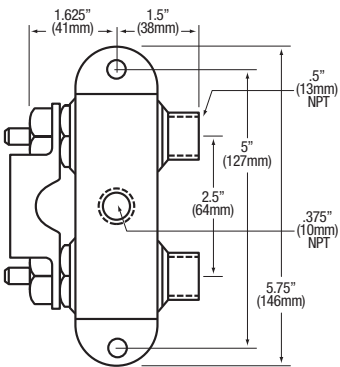
Part No.	Description	Application
A 1041	Operated, Long Foot	103 / 104 / 105 / 106
1042*	Operated, Short Foot	101 / 102
1043*	Operated, Knee	109 / 110 / 111 / 112
1049*	Bolt & Nut Set (Stainless)	All Single Valves
B 1050	Jam Nut (Stainless)	All Valves
C 1051	Bolt & Nut Set (Stainless)	All Double Valves
D 1052	Bracket	All Double Valves
E 1053	Threaded Insert	All Valves
1054*	Bracket	All Single Valves
G 1055	Plunger Assembly	All Valves
H 1056	Spring (Stainless)	All Valves
I 1057	Body only, Double Valve	All Double Valves
1058*	Body only, Single Valve	All Single Valves
K 1061	Replacement Kit	All Valves

*not shown

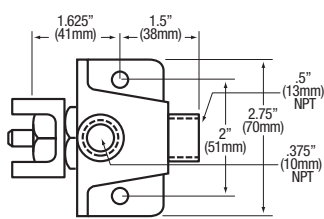


#1061 Replacement Kit includes one each: #1053, #1055, #1056

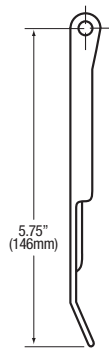
■ Double Valve Plan View



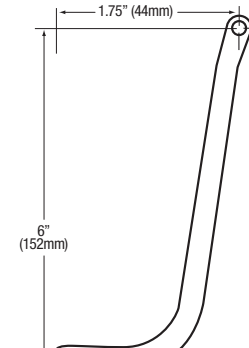
■ Single Valve Plan View



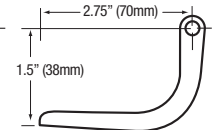
■ Knee Pedal Side View



■ Extended Pedal Side View

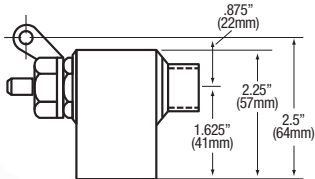


■ Short Pedal Side View

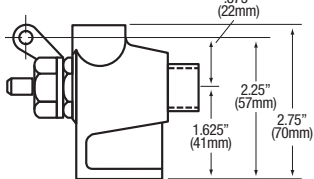


All Pedals 2" Wide

■ Double Valve Side View



■ Single Valve Side View



COLUMBIA PRODUCTS

1622 Browning • Irvine, California • 92606-4809
 Phone: 949.474.0777 • Toll Free: 800.626.2117 • Fax: 949.474.1191
 www.columbiasinks.com • email: info@columbiasinks.com