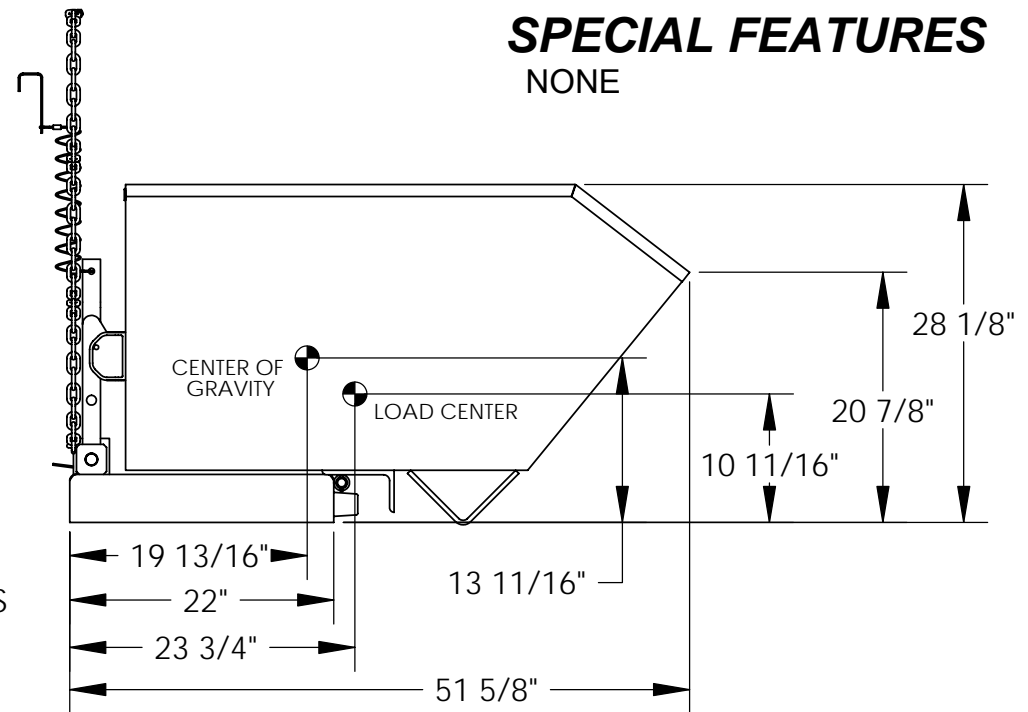
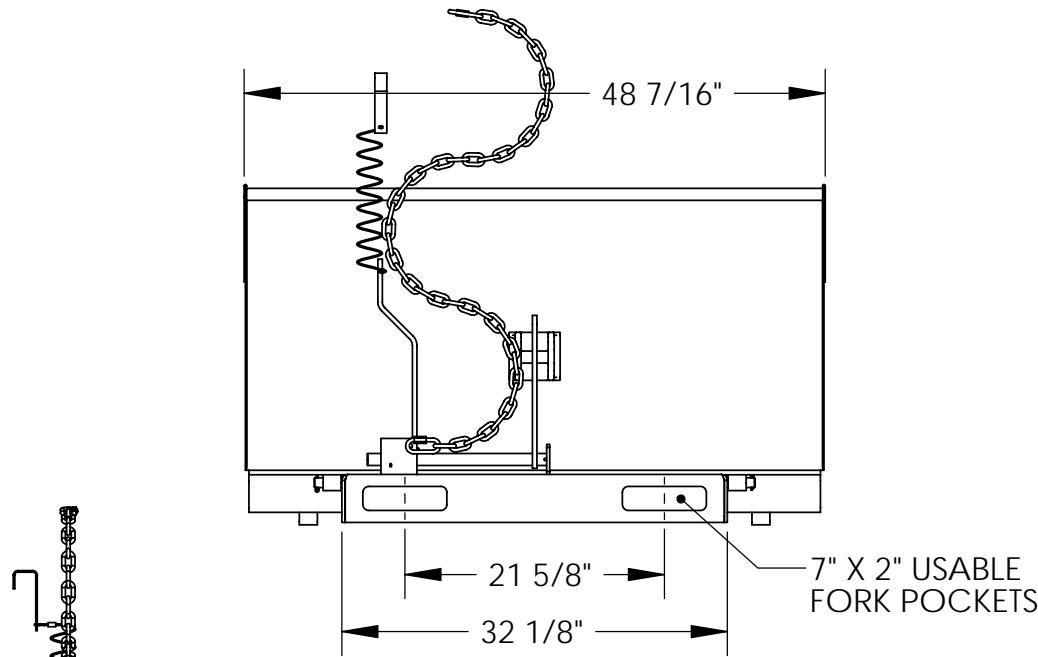
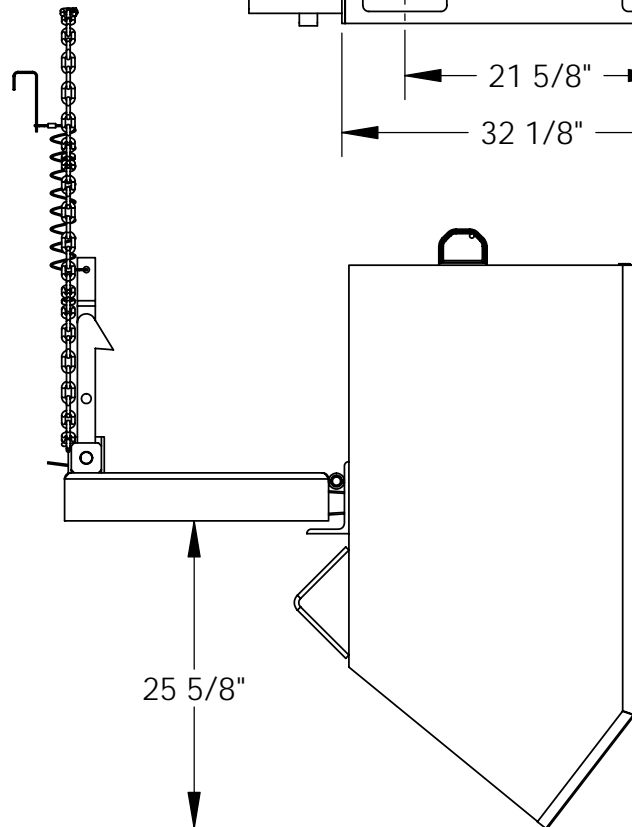


- LOW PROFILE 90° SELF DUMPING HOPPER - MODEL: H-100-LD

*** ANY ADDITIONS, DELETIONS, OR OMISSIONS MUST BE CORRECTED ON THIS DRAWING AS THIS DRAWING WILL BE CONSIDERED ALL INCLUSIVE ***
 ALL GRAPHICS PROVIDED ARE FOR REFERENCE ONLY. IF CERTAIN DIMENSIONS ARE CRITICAL PLEASE VERIFY THOSE DIMENSIONS WITH YOUR SALESPERSON



SPECIAL FEATURES
 NONE



** WITH CASTER OPTION, THE MAXIMUM WEIGHT CAPACITY IS THE LOWEST WEIGHT CAPACITY OF EITHER THE HOPPER OR THE CASTERS

STANDARD FEATURES

OVERALL WIDTH: 48 7/16"
 OVERALL LENGTH: 51 5/8"
 OVERALL HEIGHT: 28 1/8"
 CAPACITY: 2000 LBS.
 VOLUME: 1 CU. YRD.
 6" CASTER KIT ADDS 3 1/4" TO OVERALL HEIGHT

ALL SPECIAL UNITS ARE NON-RETURNABLE

APPROVAL	I, the undersigned, hereby approve this print. This includes my approval of design & dimensions	
	[] As drawn [] As marked	
	Signed: _____ Date: _____	
LEAD TIME WILL START UPON RECEIPT OF SIGNED APPROVAL DRAWING		

DISTRIBUTOR'S NAME: VESTIL MANUFACTURING		P.O.# X
DRAWN BY: W. STALEY	DATE: 4/7/08	SCALE: 1:16
REFERENCE: X	QUOTE # X	SALES: X
		FILE NAME: 37-007-037