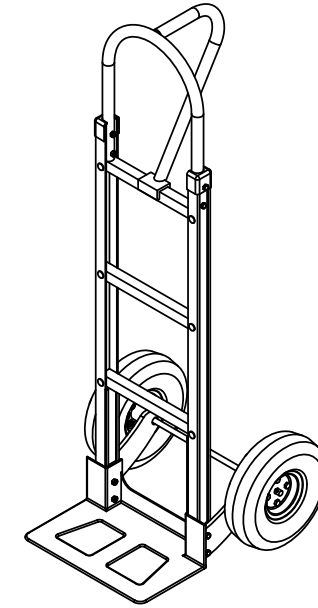
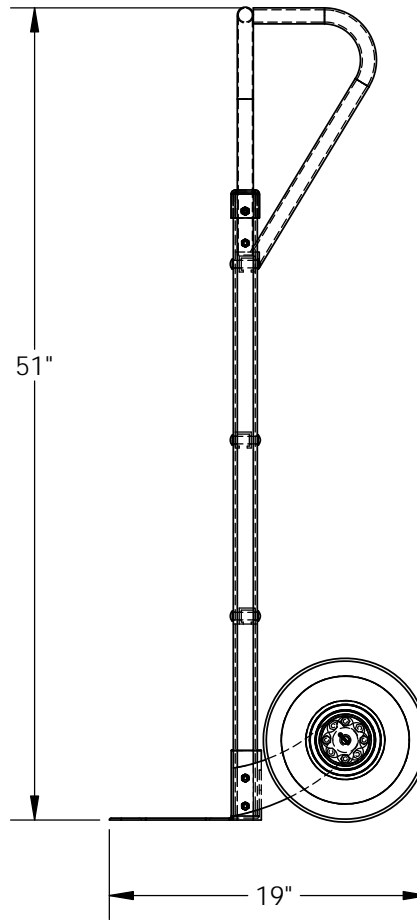
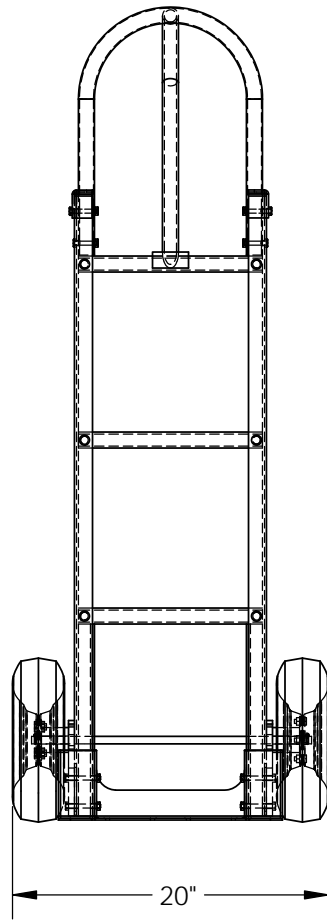


ALUMINUM STEEL "P" HANDLE HAND TRUCK - APHT-500A

APPROX WEIGHT: 39.31 lbs.
DOES NOT INCLUDE WEIGHT OF POWER OR PACKAGING!!!

*** ANY ADDITIONS, DELETIONS, OR OMISSIONS MUST BE CORRECTED ON THIS DRAWING AS THIS DRAWING WILL BE CONSIDERED ALL INCLUSIVE ***

ALL GRAPHICS PROVIDED ARE FOR REFERENCE ONLY. IF CERTAIN DIMENSIONS ARE CRITICAL PLEASE VERIFY THOSE DIMENSIONS WITH YOUR SALESPERSON



DIMENSION TOLERANCE $\pm 1/4"$

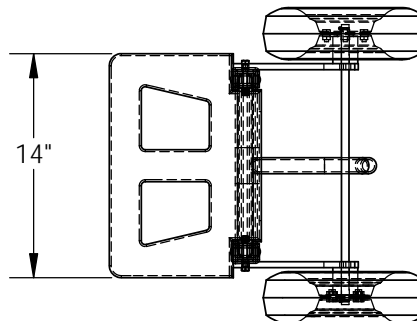
| | | |
|---|---|-------------|
| A P P R O V A L | I, THE UNDERSIGNED, AGREE THAT THE PRODUCT AS REPRESENTED SATISFIES DESIGN AND DIMENSION REQUIREMENTS. I ALSO ACKNOWLEDGE MY DUTY TO CONFIRM PRODUCT AND INSTALLATION COMPLIANCE WITH ALL APPLICABLE FEDERAL, STATE AND LOCAL REGULATIONS AND STANDARDS. ALL SPECIAL UNITS ARE NON-RETURNABLE [] As drawn [] As marked | |
| | Signed: _____ | Date: _____ |
| LEAD TIME WILL START UPON RECEIPT OF SIGNED APPROVAL DRAWING | | |

STANDARD FEATURES

MODEL NUMBER IS APHT-500A
OVERALL WIDTH IS 20"
OVERALL LENGTH IS 19"
OVERALL HEIGHT IS 50 1/2"
MAX CAPACITY IS 300 LBS.

SPECIAL FEATURES

NONE



| | | |
|----------------------|------------------|------------|
| DISTRIBUTOR'S NAME: | | P.O.# |
| VESTIL MANUFACTURING | | X |
| DRAWN BY: CRM | DATE: 02/09/2011 | W.O.# |
| REFERENCE: X | SCALE: 1:12 | X |
| QUOTED LEAD TIME: X | QUOTE # | FILE NAME: |
| | X | 33-007-208 |