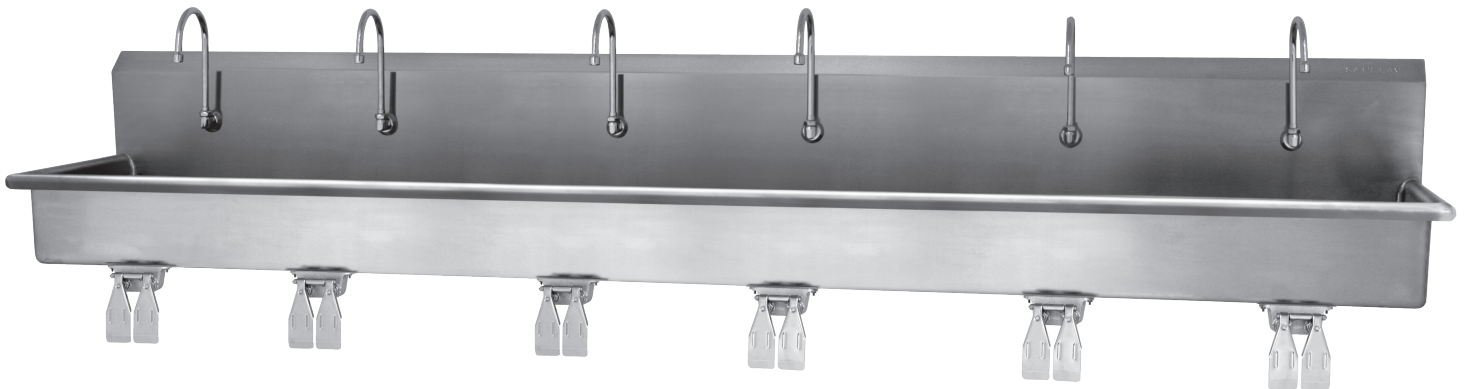


# COLUMBIA PRODUCTS

## SANI-LAV<sup>®</sup>

**Operating Manual for Six-Person Hands-Free Wall Mounted Wash Stations  
Model 512WSL**



Columbia does not recommend use with harsh chemicals.  
NSF/ANSI Standard 2 - Food Equipment and NSF/ANSI 372 low-lead.

## Parts List

- (1) Six-person wall mount wash station – Model 512WSL
- (6) Double knee pedal valves (bottom mount) with 12 nuts – Model 111L
- (6) Swivel gooseneck spout with aerator – Model 2003L
- (3) Strainer assembly with basket – Model 1010
- (4) Wall-mounting brackets – Model 1040
- (6) Connecting tubes for valve to spout connection – Model 1007L
- (12) Fittings, brass, 0.375" male compression and 0.375" male NPT – Model 1008L
- (4) Support brackets

## Tools Required

- Tape Measure
- Adjustable Wrench
- Drill Motor and Drill Bits
- Pipe Wrench
- Level
- Safety Glasses
- Screw Drivers: 1 Phillips & 1 Standard
- Pencil
- Socket Wrench

## Installation Instructions

### Step 1

1. Establish Sink location on the wall.
2. Measure a recommended 45" from finished floor and draw a level line which will be the top edge of the wall mounting bracket.
3. Hold the wall mounting bracket against the wall and mark the wall where the holes are. Drill holes and secure bracket to the wall as shown in illustration A. Screws are not provided.

### Step 2

1. Install spout assemblies to the sink.
2. Install elbow fitting (provided) to the spout assemblies.
3. Connect supply lines (provided) to the spout assemblies.
4. Install strainer assembly.

### Step 3

1. Position Sink onto the wall bracket.
2. Mount Support Bracket to the bottom of the sink. Do not tighten.
3. Slide or push support brackets against the wall and mark holes for fastening. See illustration B.
4. Remove Support Brackets from the sink and drill holes for fastening.
5. Install fastening hardware to the drilled holes. (not included)
6. Mount support bracket to the bottom of the sink and fasten them to the wall.

### Step 4

1. Install Knee Pedal valves onto the sink.
2. Install elbow fittings to the Knee Pedal valves.
3. Connect the connecting tubes from the Spouts to the Knee Pedal Valves.

### Step 5

1. Connect waste line or drain pipe to the strainer assembly.
2. Connect Hot and Cold water supply line to the water source.

### Step 6

1. Remove aerator from the spout assembly and flush water system. Check connections for leaks. Replace aerator onto the spout assembly.
2. We recommend sealing top of backsplash to wall as shown in illustration C.

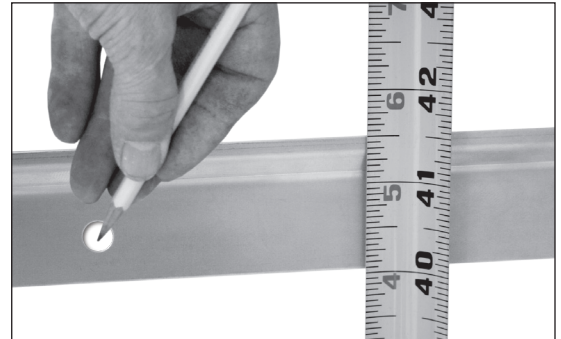


Illustration A



Illustration B



Illustration C

**Trouble Shooting Guide**

Problem	Possible Cause	To Diagnose	Remedy
Water drips from spout or valve stem assembly.	Flat washer on the stem/plunger is worn.	To determine if the leak source is from the hot or cold side shut cold water source off. See if water still leaks from the spout. If leak continues then repair hot side if not repair cold side	We recommend installing valve repair kit.
Water leaks from the front of the valve.	O-Rings on the plunger are worn out.	Visually determine whether the cold or hot side is leaking.	We recommend replacing threaded insert, plunger assembly & spring. See illustrations below.

**Valve Repair Instructions**

Note: Valves are designed to be repaired without having to be disconnected from mount or plumbing.

1. Turn off water source. Do not remove valve from sink.
2. Remove pedal assembly using a 15/16" open end wrench or socket wrench. As shown in illustration A.
3. Using a 1" deep socket wrench or closed end wrench remove insert assembly as shown in illustration B.
4. Replace with new repair kit as shown on illustration C.
5. Reinstall pedal assembly and turn water source on.

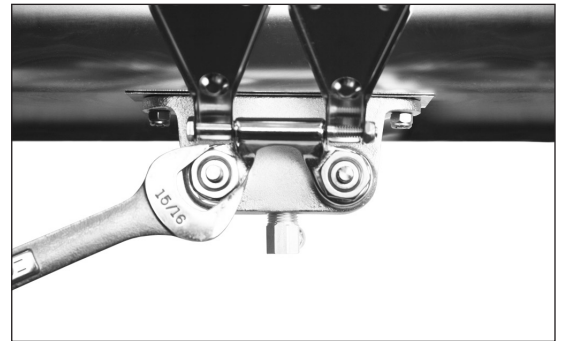


Illustration A

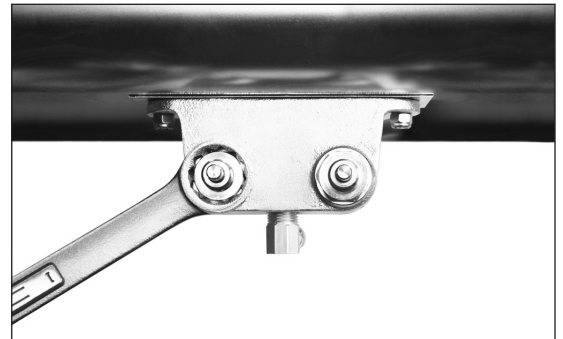


Illustration B

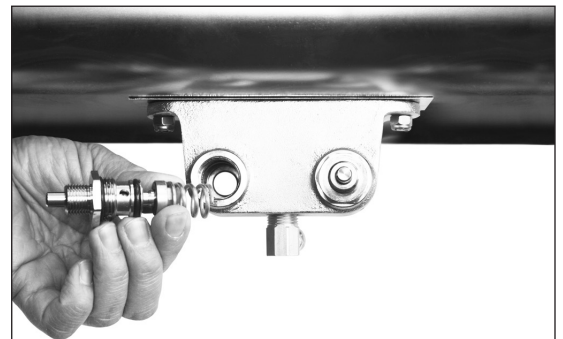
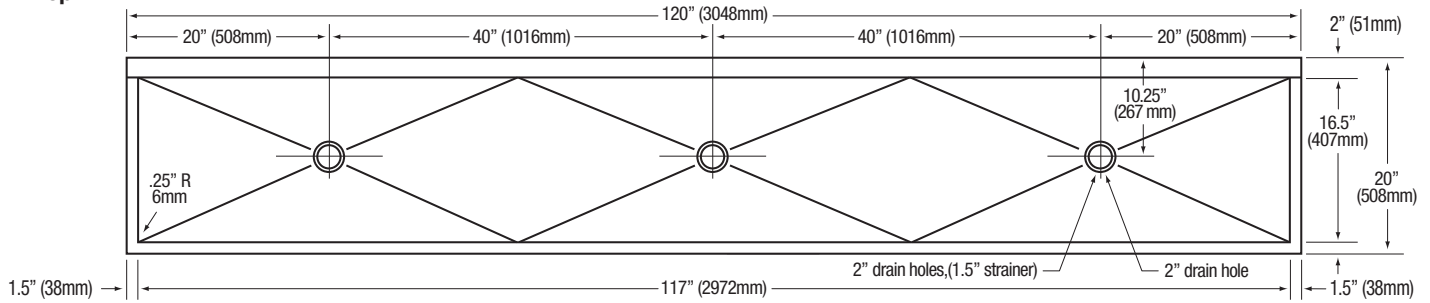
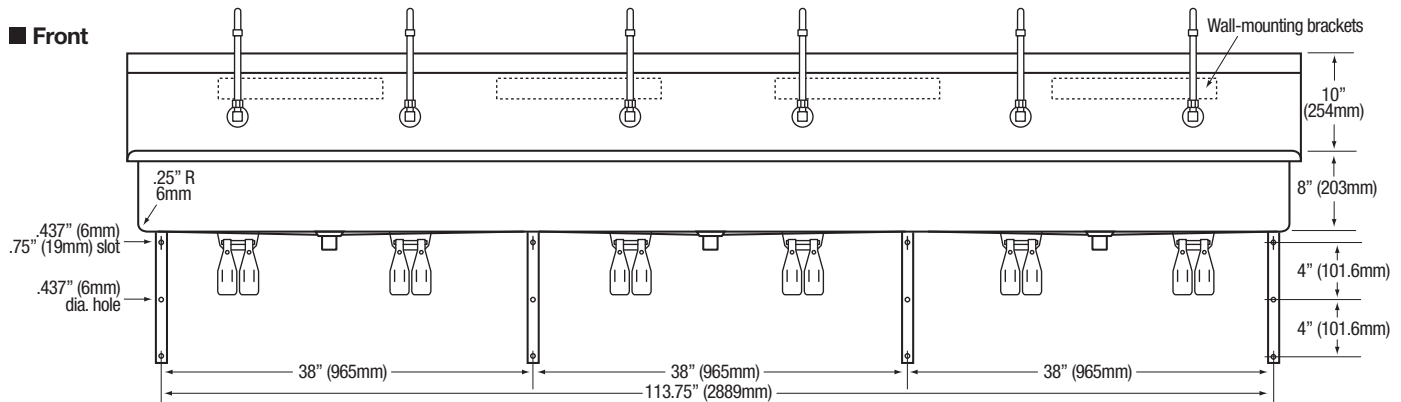


Illustration C

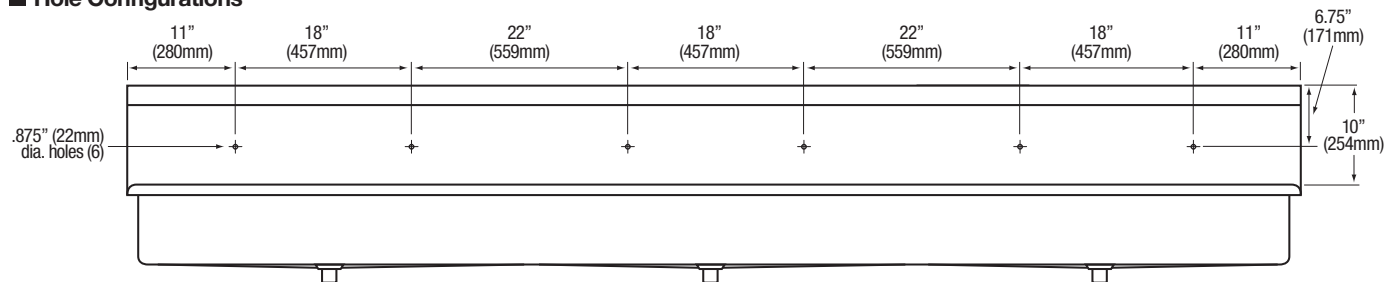
■ Top



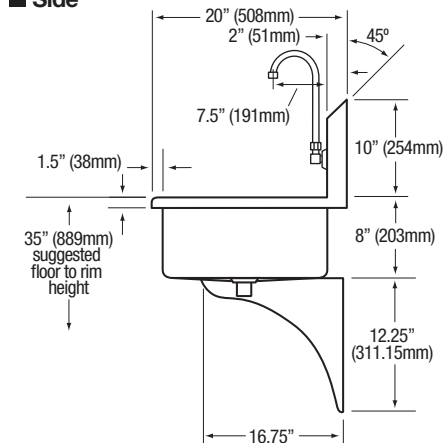
■ Front



■ Hole Configurations



■ Side



■ Wall Mounting Detail

